

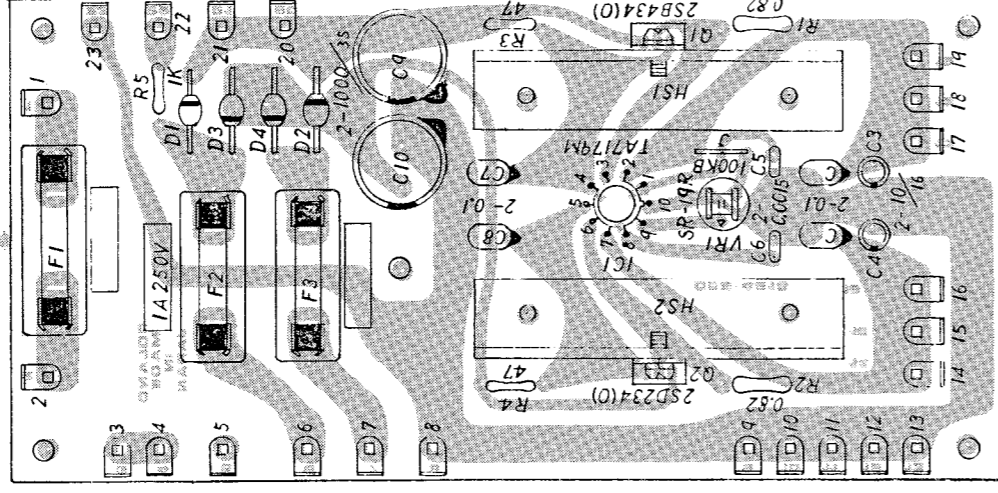
1 2 3 4 5 6 7 8 9 10 11 12 13 14 15 16 17 18 19 20 21 22 23 24 25 26 27 28 29 30 31 32 33 34 35 36 37 38 39 40 41

V W X Y Z A B C D E F G H I J K L M N O P Q R S T U V W X Y Z

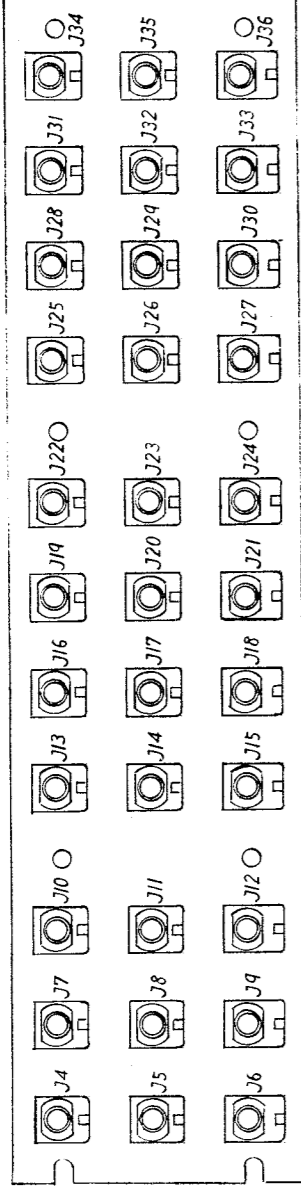
M-190 M-191J

- PS-46B (146-046B) 100V
- PS-47B (146-047B) 117V
- PS-48B (146-048B) 220/240V

(pcb 052-421B)



JACKS HSJ0409-01-020



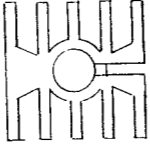
M-191J OPH53 (149H053) (pcb 052-423)

- IC- 1 15119110T0
- Q- 1 15119800
- Q- 2 15129801
- D- 1-4 15019210
- D- 5 019-020
- VR- 1 13299117
- R- 1,2 044-589
- F.T. 022H025J
- 022H025C
- 022H025D
- TA7179M
- 2SB434-0
- 2SD234-0
- 1R5BZ61 or 1M4003 1.5A 100V
- LR0601R LED
- SR19R 100KB
- BRG-01ANJ 0.82 ohms 1/2W
- 100V
- 117V
- 220/240V

- 100/117V
- 220/240V

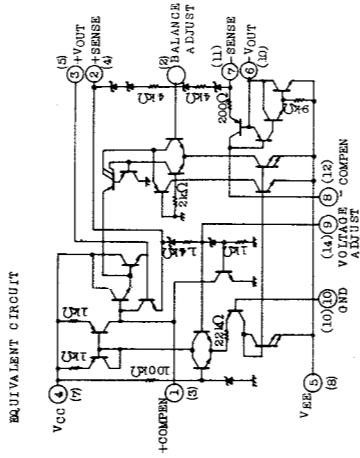
- Fuse holder 012H022 F-3265
- F- 1-3
- 12559114 MGC 1.0A 100V
- 12559301 MGC0001 117V
- Fuse holder 12199516 S-M5054
- F- 1
- 12559511 CEE T500mA
- F- 2, 3
- 12559513 CEE T1A

- HS- 1, 2 048-052 Heat sink no.52



TA7179M

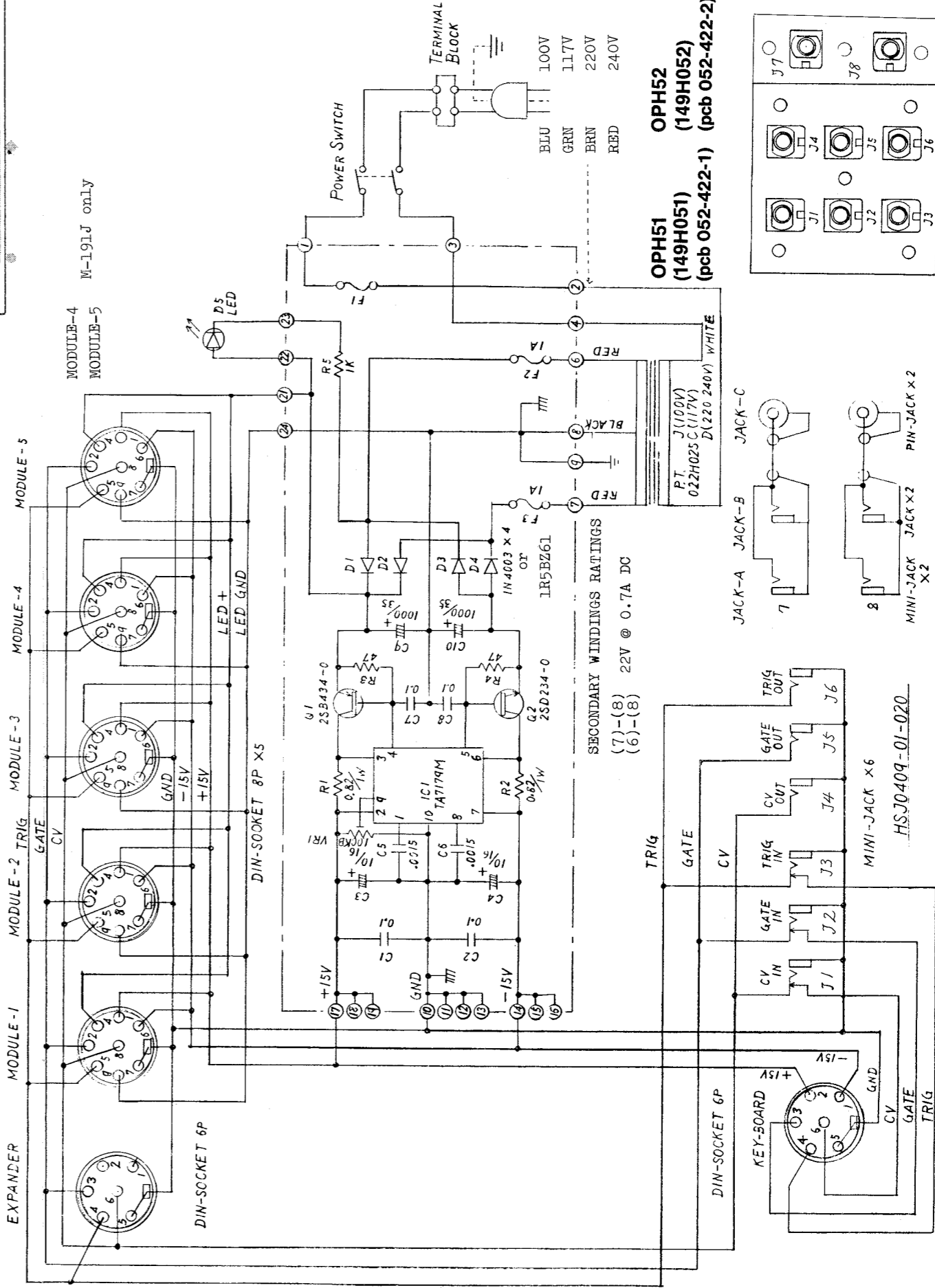
Pin numbers in parentheses are for the plastics type TA7179P only.



- ABSOLUTE MAXIMUM RATINGS (T=25°C)
- Input voltage (+) (-) 30V
- Output current (+) (-) 100mA
- Power dissipation 500mW
- Operating temperature -30°-+75° C

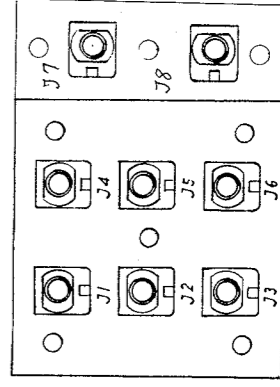
M-190 3 MODULE SYSTEM RACK

M-191J 5 MODULE SYSTEM RACK



OPH51 (149H051) (pcb 052-422-1)

OPH52 (149H052) (pcb 052-422-2)



JACK-A JACK-B JACK-C

MINI-JACK JACK X2 PIN-JACK X2

MINI-JACK X6 HSJ0409-01-020

SECONDARY WINDINGS RATINGS
(7)-(8) 22V @ 0.7A DC
(6)-(8)