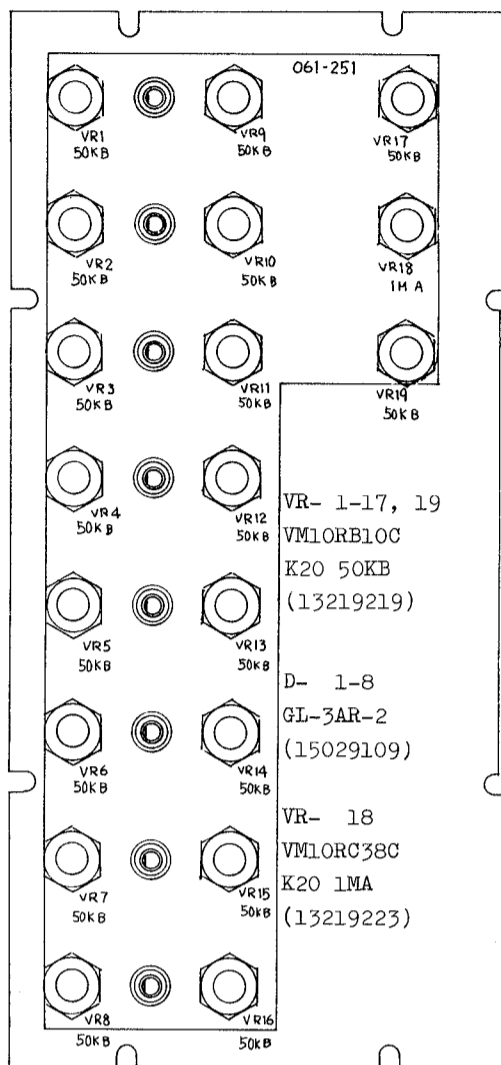
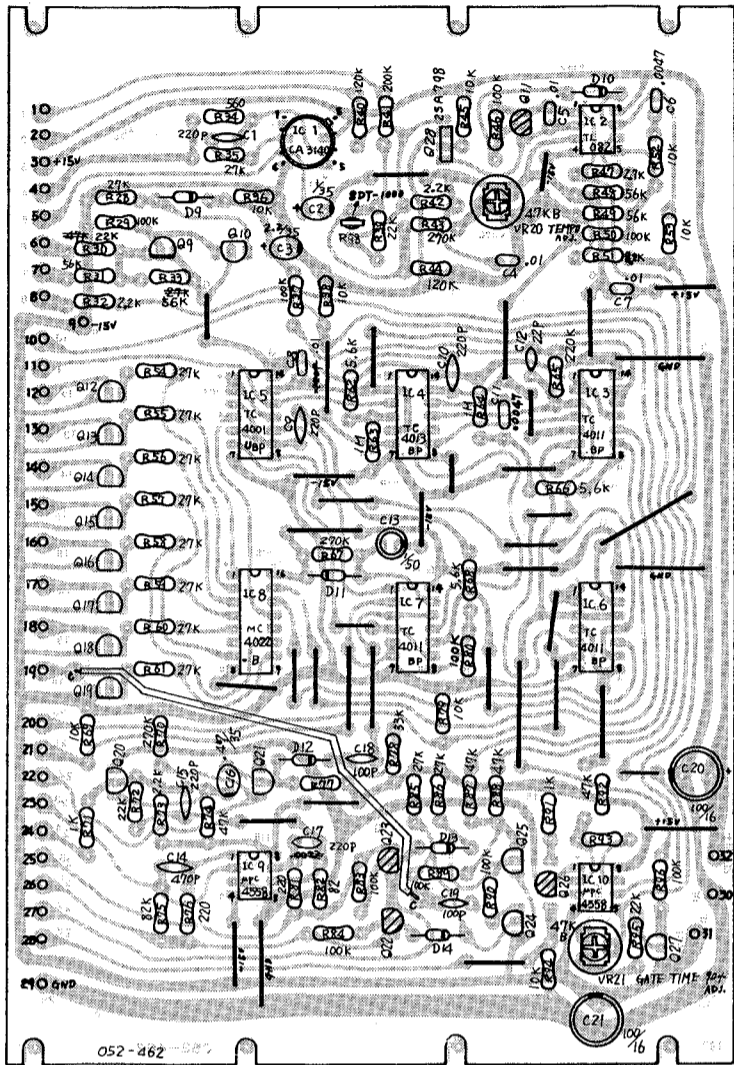
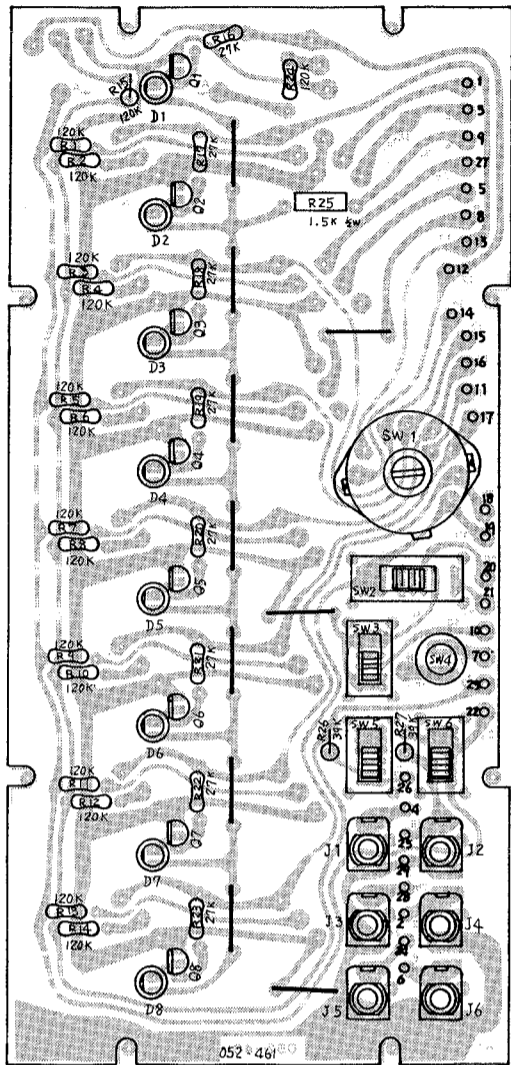


J-	1-6	13449402	SJ-409-1-2	SW-	4	13129901	DS-102 red	IC-	4	15159105T0	TC4013BP	Q-	1-8	15119106	2SA733-Q
SW-	1	13119702	SRM1018112	IC-	1	15189121	CA3140T	IC-	5	15159102T0	TC4001UBP	Q-	9	15119108	2SA798-G
SW-	2	13159302	SSA04301	IC-	2	15189118	TL082CP	IC-	8	15159107Z0	MC14022B	Q-	10,12-21,	15129107	28C945-Q
SW-	3,5,6	13159102	SSA04202	IC-	3,6,7	15159104T0	TC4011BP	IC-	9,10	15189105	uPC4558C		24,25,27		

See bottom for remainders.

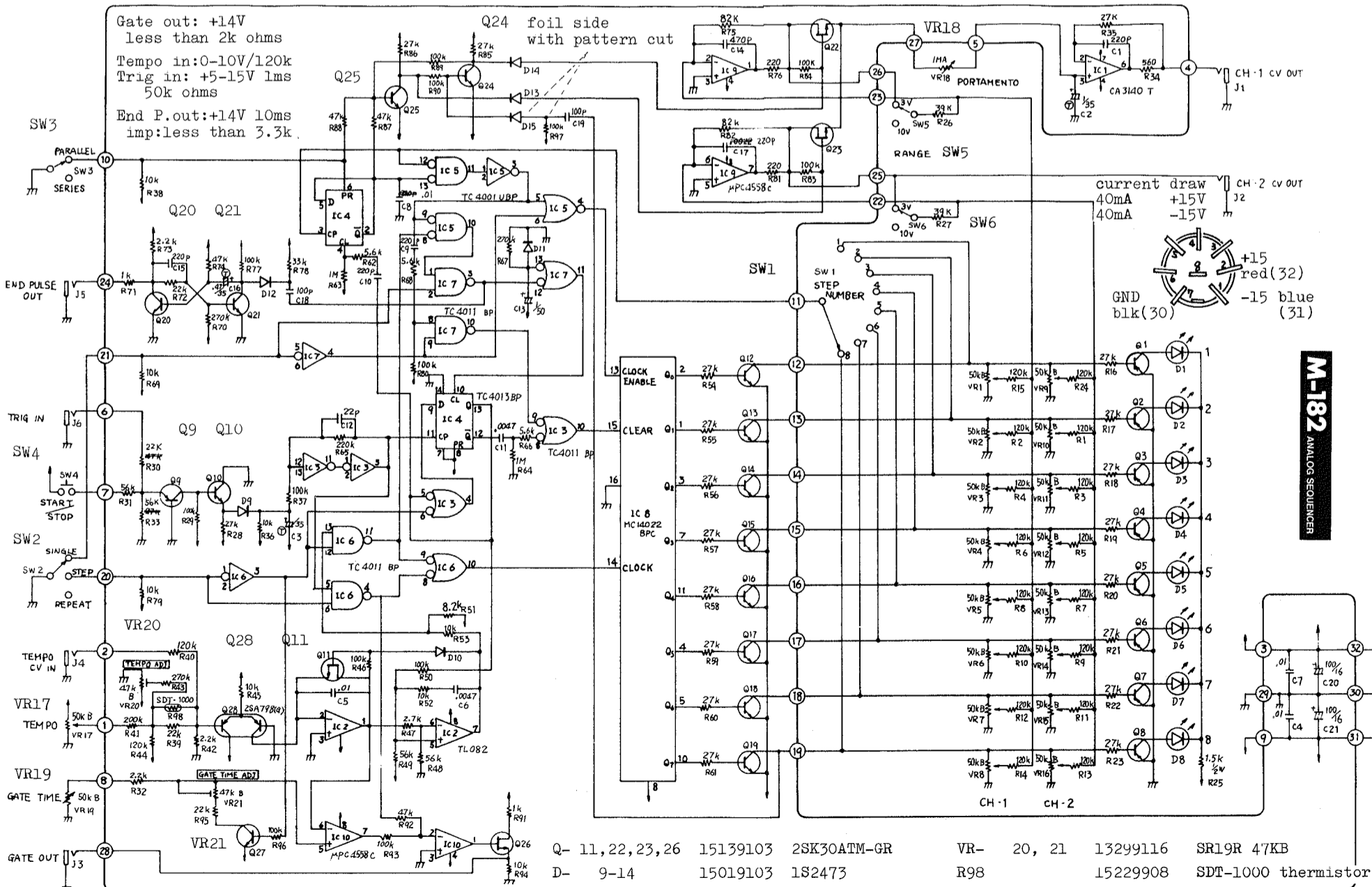


OP110-030 (P/N 7911003000) (pcb 052-461)



OP11-040 (Part number 7911004000) (pcb 052-462)

Tempo: 7s-3ms (0.14Hz-33Hz) PORTAMENTO: 0-10s
Gate time: 10-90%
CV out: 0.3-10V



Q-	11,22,23,26	15139103	2SK30ATM-GR	VR-	20, 21	13299116	SR19R 47KB
D-	9-14	15019103	1S2473	R98		15229908	SDT-1000 thermistor