

1 2 3 4 5 6 7 8 9 10 11 12 13 14 15 16 17 18 19 20 21 22 23 24 25 26 27 28 29 30 31 32 33 34 35 36 37 38 39 40 41

A
B
C
D
E
F
G
H
I
J
K
L
M
N
O
P
Q
R
S
T
U
V

6. TRIG OUT

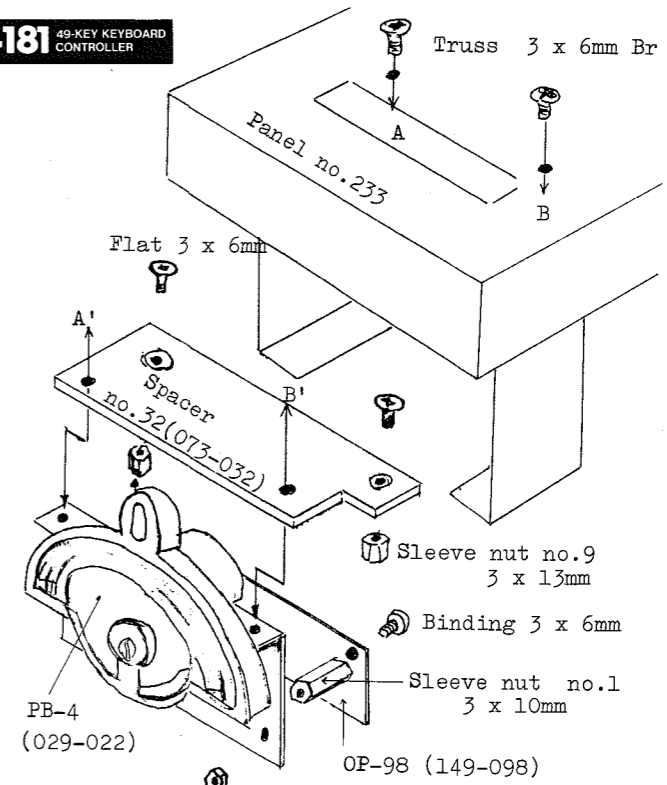
While depressing a key, tap the lower key. This keyings should cause TRIG OUT to send out pulses each time the contact closes and opens.

CA3140

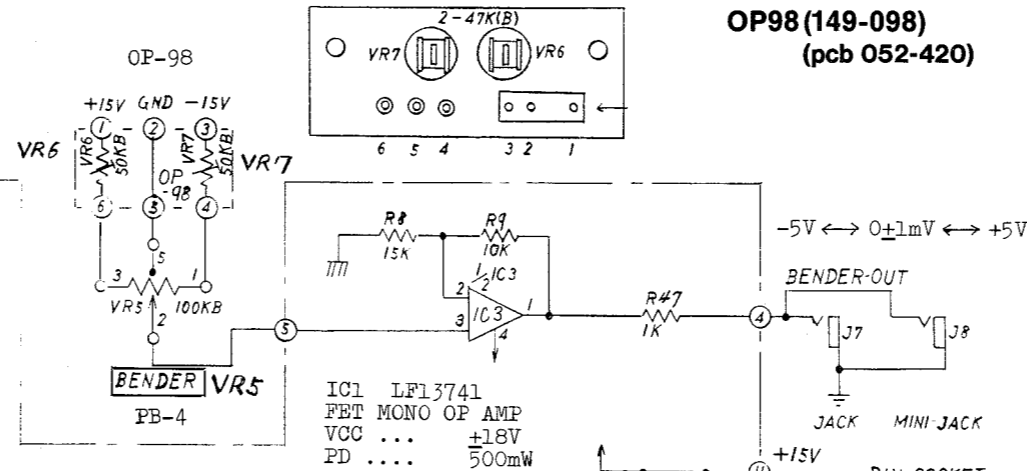
MOS/FET Input Bipolar Output
DC Supply Voltage . . . 36V
(Between V⁺ and V⁻ terminals)
Differential-mode Input Voltage . . . ±8V
Input Terminal Current . . . 1mA

NOMENCLATURE	PART NO.	PARTS NAME	Q-	1-5	15129115	2SC1815-Y
SW-	1	SLE-623-12P(S)	Q-	6, 7	15119112	2SA1015-Y
SW-	2	SLE-622-12P(S)	Q-	8	15139103	2SK30ATM-GR
VR-	1	VM10RK15A26 2MA	D-	1	15019627	1S2454 zener
VR-	2	VM10RK15B15 100KB	D-	2-7	15019103	1S2473
VR-	3	PN82-2H202H 2KB	R-	25,26		CRB½FX 0.1% selected
VR-	4	PN82-2H501H 500	R-			CRB½FX metal film
VR-	5	PB-4 assy	C-	3	polypropylene	BCQF-2334MZ 0.33mfd
VR-	6, 7	SR19R 47KB	C-	4	tantalum	1mfd 35V
IC-	1	LF13741H OP amp				
IC-	2	CA3140T				
IC-	3-6	uPC4558C				

M-181 49-KEY KEYBOARD CONTROLLER



OP98 (149-098) (pcb 052-420)



M-181

CV2A (159-002A) (pcb 052-419A)

current draw
40mA +15V
20mA -15V

