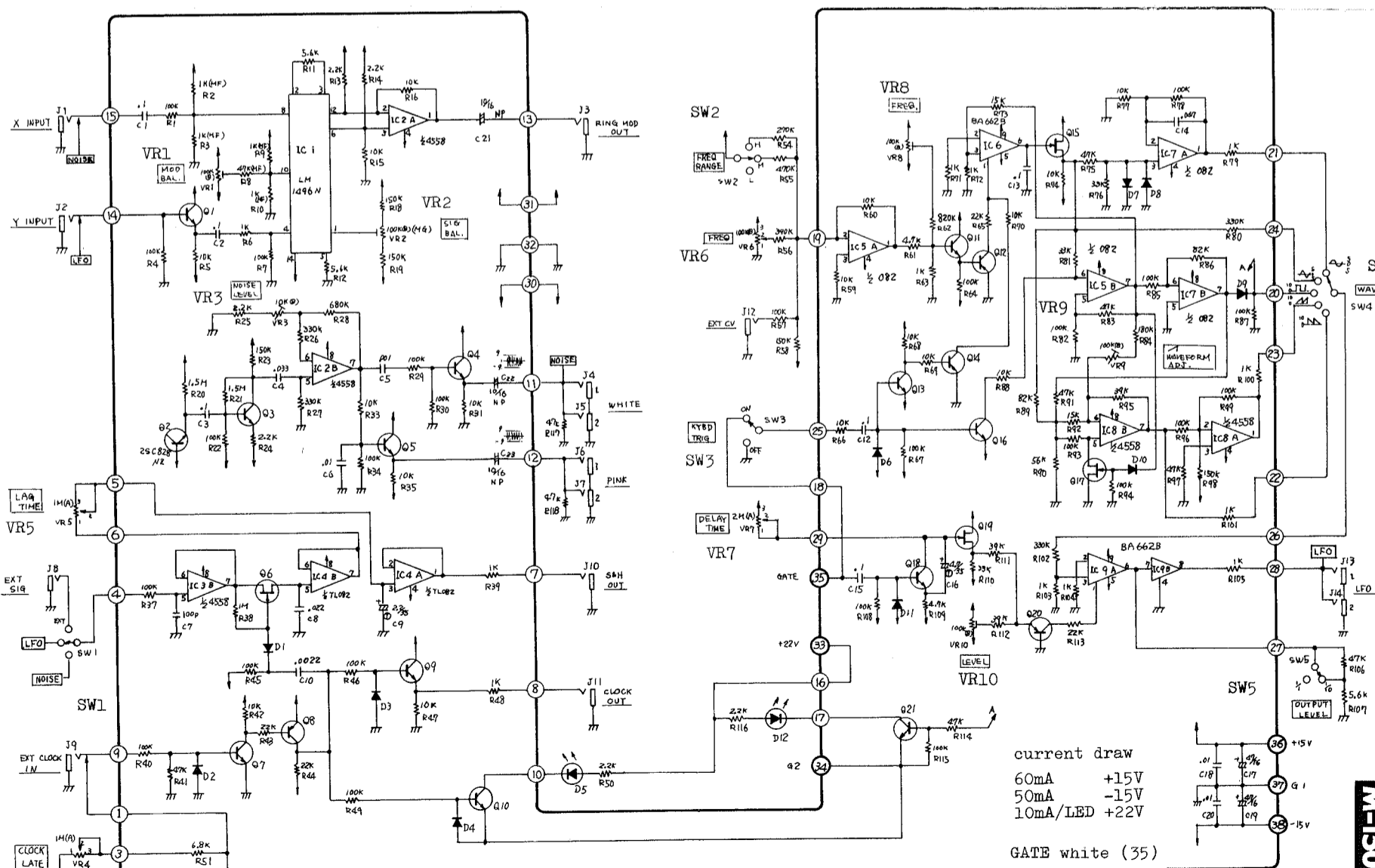
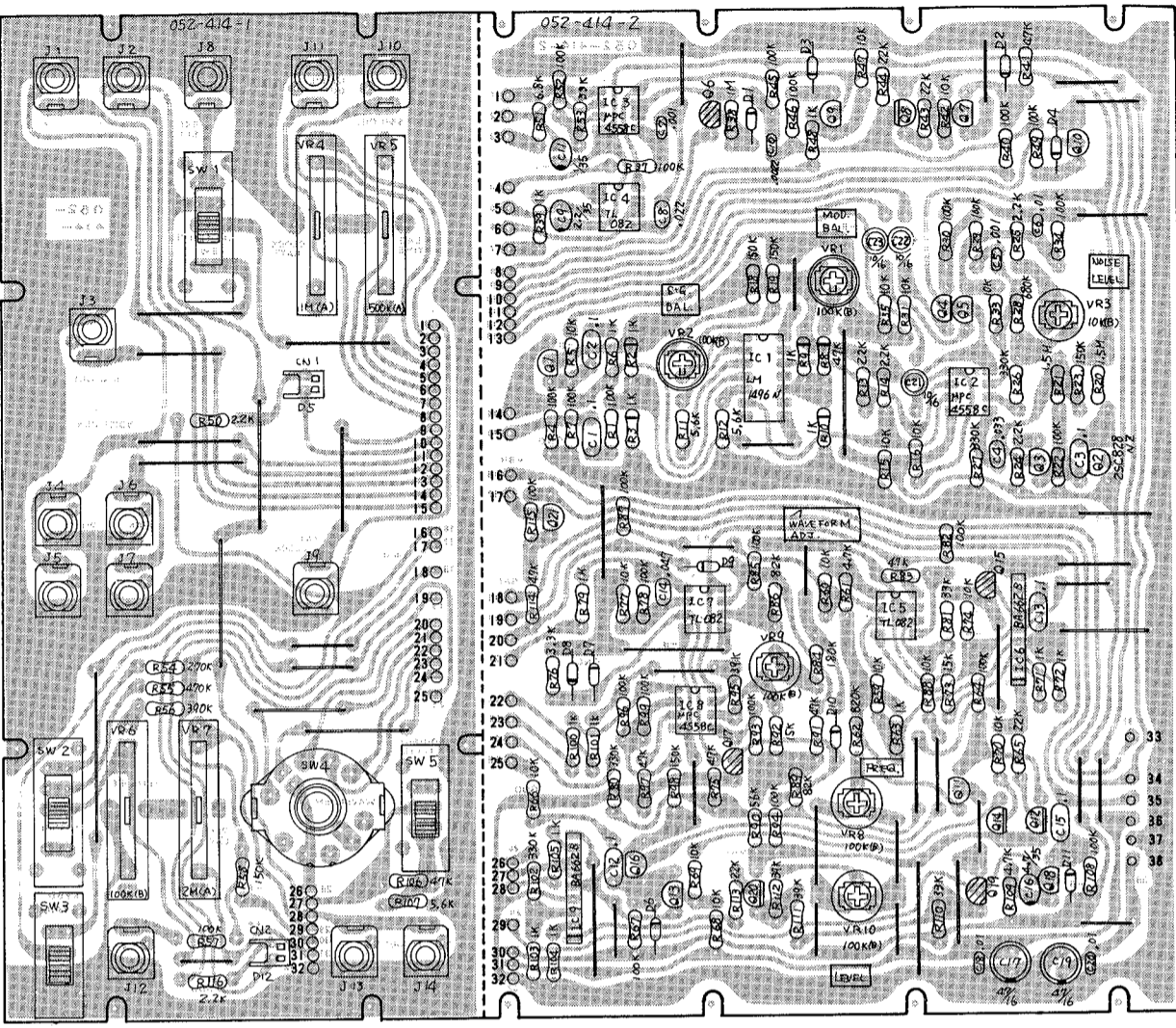


OP9108-030 (P/N 7910803000)
(pcb 052-414-1)

M-150

OP9108-040 (Part number 7910804000)
(pcb 052-414-2)

NOMENCLATURE	PART NO.	PART NAME
J-	1-14	13449402 SJ-409-1-2
SW-	1, 2	13159304 SSB-02335
SW-	3, 5	13159103 SSB-02242
SW-	4	13119401 SRM1025172
VR-	1, 2	13299546 CR19R 100KB
VR-	3	13299114 SR19R 10KB
VR-	4	13339302 EVA-H04C15A16
VR-	5	13339305 EVA-H04C15A55
VR-	6	13339304 EVA-H04C15B15
VR-	7	13339303 EVA-H04C15A26
VR-	8, 9,10	13299117 SR19R 100KB
CN-	1, 2	13439502 3024-02C
IC-	1	15219106 LM1496N
IC-	2, 3, 8	15189105 uPC4558C
IC-	4, 5, 7	15189118 TL082CP
IC-	6, 9	15229803 BA662-B
Q-	1, 3-5,7	
	9-11, 13,	15129115 2SC1815-Y
	16,18,21	
Q-	2	15129105A 2SC828R selected for noise generator
Q-	6, 15, 17	15139103 2SK30ATM-GR
Q-	8, 12,14	15119112 2SA1015-Y
Q-	20	
D-	1-4,6-11	15019103 1S2473
C-	9	13619709N0 2.2mfd/35V
C-	11	13619707N0 1mfd/35V
C-	16	13619711N0 4.7mfd/35V tantalum
C-		13639149J0 ECEA16V47 47mfd/16V
C-		13639922J0 ECEA16N10 bi-polar



Ring-Freq:20Hz-20kHz/Output:1kohms/Input:50k ohms
X + Y = 20V p-p/Input rejection: 60dB
S/H- Clock:0.2Hz-25Hz/Out:0-10Vp-p max 1k ohms
Signal in-10Vpp max 50kohms Noise-12Vpp 1k ohms
LFO-0.05Hz-30Hz/Control sens:1V/oct
Output/10Vp-p 1kohms /Delay time:0-7s

current draw
60mA +15V
50mA -15V
10mA/LED +22V

GATE white (35)
TRIG NC +22 LED orn(33)
GND LED grn(34) +15 red (36)
GRN blk (37) -15 blu(38)

M-150
RING-NOISE S/H LFO