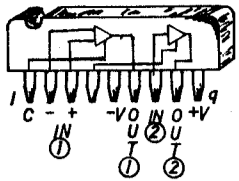
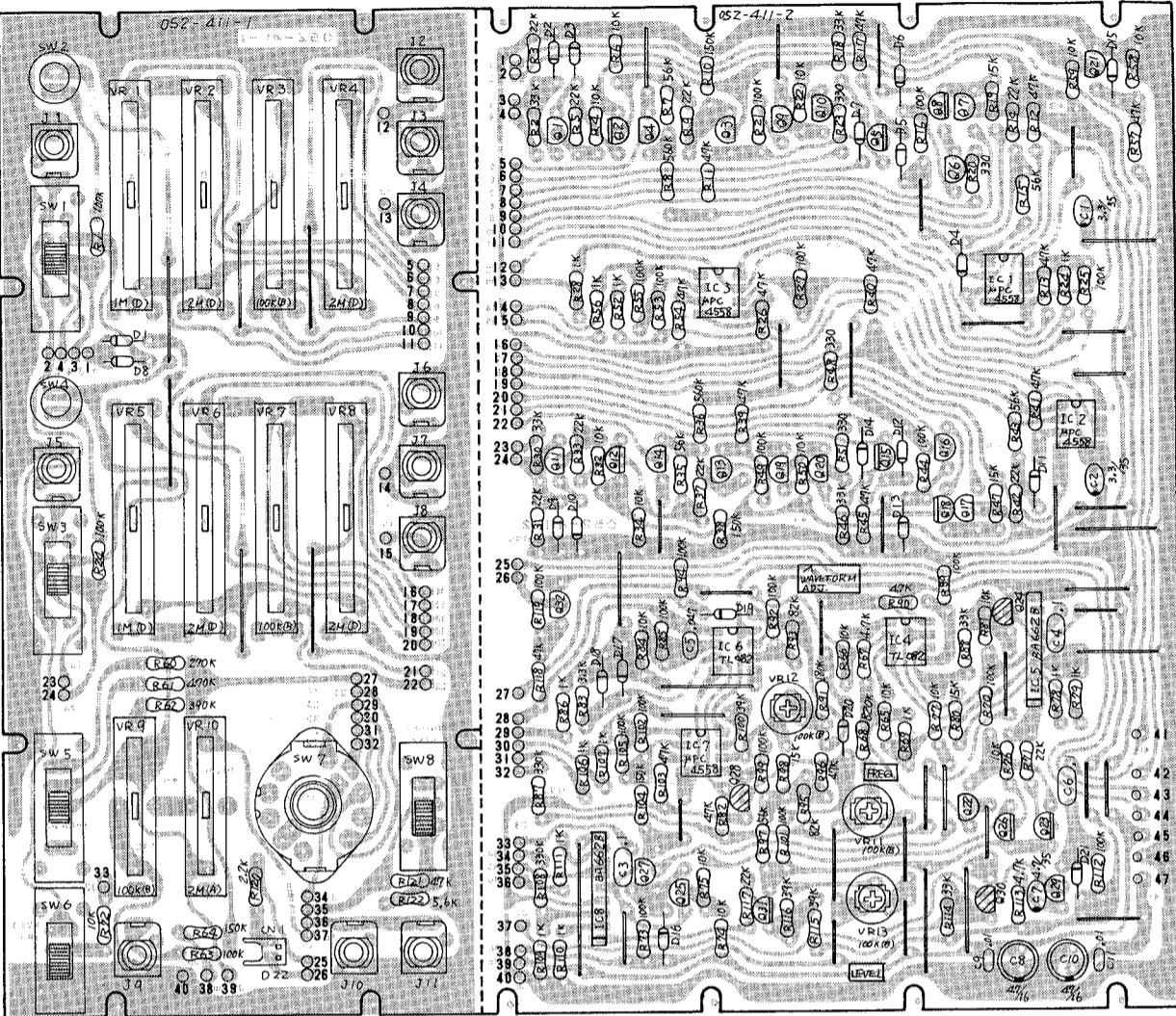


**BA662 A**  
**BA662 B**

Roland Custom-made DC Controlled Variable Transconductance (gm) Amp.  
 \* Device with an "A" suffix features lower offset coefficients.  
 \* For some particular applications, BA662's are further classified based on "gm" and are painted in a group color. Both BA662 "A" and "B" in the same color are characterized by a "gm" in the range.  
 Since suffix "A" indicates superior performance, the BA662 "A"s are good alternative for the existing BA662's in the 100M modules.



BA662 "B" can replace only where designation is "B" or "A" or "B" in circuit diagram or on accompanying list. Device without the suffix will be found on several occasions. Labelling them with suffix is preferable for future reference especially when storing as spare. Also, there might be colored ones, inevitable dependency on IC availability, having no significant meaning in terms of modules' performances, but restoration of more accurate characteristics would be expected if replacement is in the same color.  
**COLOR has GREAT IMPORTANCE in circuits of some MODELS.**



NOMENCLATURE	PART NO.	PART NAME
J-	1-11	13449402 SJ-409-1-2
SW-	1, 3, 5	13159304 SSB-02335
SW-	2, 4	13129901 DS-102 red
SW-	6, 8	13159103 SSB-022-42
SW-	7	13119401 SRM-1025172
VR-	1, 5	13339403 EVA-TOAC15D16
VR-	2, 4, 6, 8	13339404 EVA-TOAC15D26
VR-	3, 7	13339402 EVA-TOAC15B15
VR-	9	13339304 EVA-HO4-C15B15
VR-	10	13339303 EVA-HO4-C15A26
VR-	11, 12, 13	13299117 SR19R 100KB
IC-	1, 2, 3, 7	15189105 uPC4558C
IC-	4, 6	15189118 TL082CP
IC-	5, 8	15229803 BA662-B
Q-	1,3,4,6, 7, 9-11,13,14,16, 17,19-22,25,27, 29, 32	15129115 2SC1815-Y
Q-	2,5,8,12,15,18, 23, 26, 31	15119112 2SA1015-Y
Q-	24, 28, 30	15139103 2SK30ATM-GR
D-	1-21	15019103 1S2473
C-	1, 2	13619710NO 3.3mfd/35V tantalum
C-	7	13619711NO 4.7mfd/35V tantalum

**OP9107-030 (P/N 7910703000) (pcb 052-411-1)** **M-140** **OP9107-040 (Part number 7910704000) (pcb 052-411-2)**

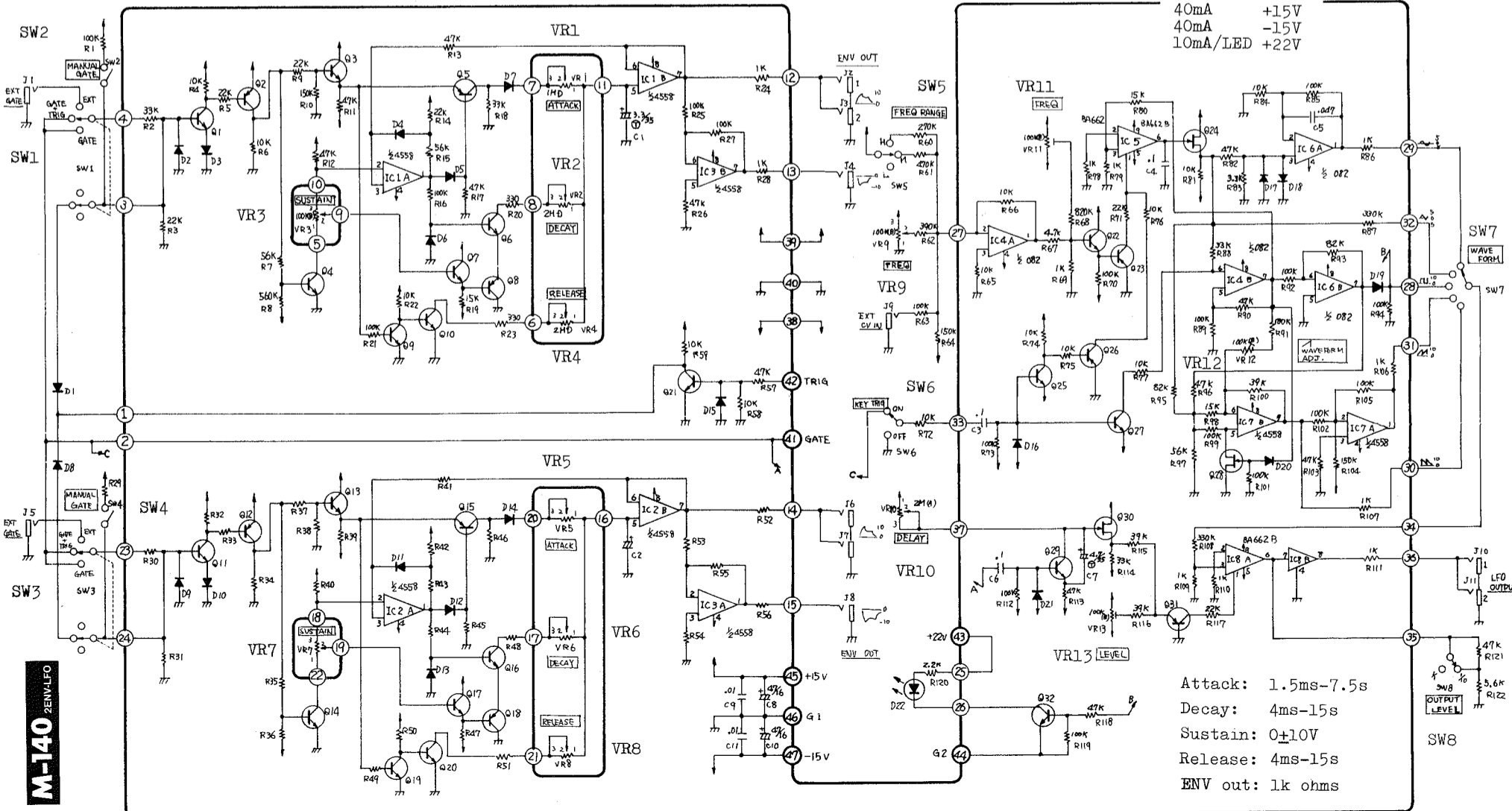
Gate/Trig in: 50k ohms, 3V min.  
 LFO: 0.05Hz-30Hz  
 Control sens: 1V/oct

Output: 10Vpp, 1k ohms  
 Delay time: 0-7s

GATE white(41)  
 TRIG brn(42)  
 Gnd LED grn(44)  
 +22 LED orn(43)  
 +15 red(45)  
 Gnd blk(46)  
 -15 blu(47)

current draw

40mA +15V  
 40mA -15V  
 10mA/LED +22V



Attack: 1.5ms-7.5s  
 Decay: 4ms-15s  
 Sustain: 0±10V  
 Release: 4ms-15s  
 ENV OUT: 1k ohms