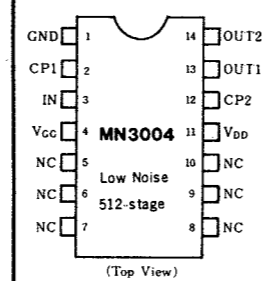


1 2 3 4 5 6 7 8 9 10 11 12 13 14 15 16 17 18 19 20 21 22 23 24 25 26 27 28 29 30 31 32 33 34 35 36 37 38 39 40 41

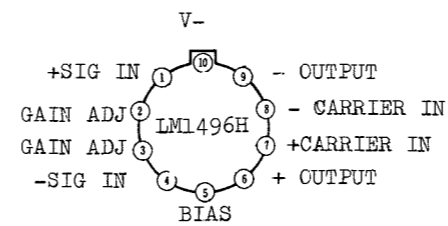
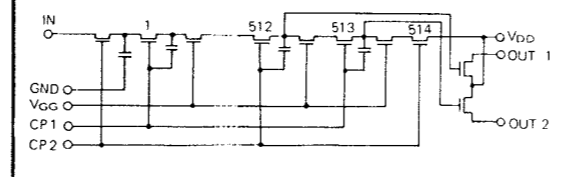
A  
B  
C  
D  
E  
F  
G  
H  
I  
J  
K  
L  
M  
N  
O  
P  
Q  
R  
S  
T  
U  
V

**M-132** DUAL CV/AUDIO MIXER & VOLTAGE PROCESSOR

NOMENCLATURE	PART NO.	PART NAME
J-	1-18	13449402 SJ-409-1-2
VR-	1-8	13339304 EVA-HO4C15B15
VR-	9, 10	13339402 EVA-TOAC15B15
VR-	11,12	13299544 CR19R 22KB
IC-	1-4	15189105 uPC4558C
Q-	1-4	15119112 2SA1015-Y
D-	1-4	15019103 1S2473
C-		13639149J0 BCE-A16V47 47/16V

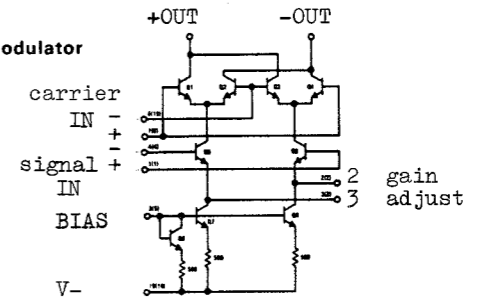


**BBD**  
Signal Delay Time  
2.56ms-25.6ms  
S/N 85dB typ  
VDD -15V  
VGG -14V  
THD 0.4%



Output voltage is proportional to the product of an input (signal) voltage and a switching (carrier) signal.  
Carrier Suppression: 65dB typ. @ 0.5MHz  
50dB typ. @ 10MHz

**LM1496** balanced modulator-demodulator



OP9106-030 (P/N 7910603000)  
(pcb 052-410-1)

**M-132**

OP9106-040  
(Part Number 7910604000)  
(pcb 052-410-2)

