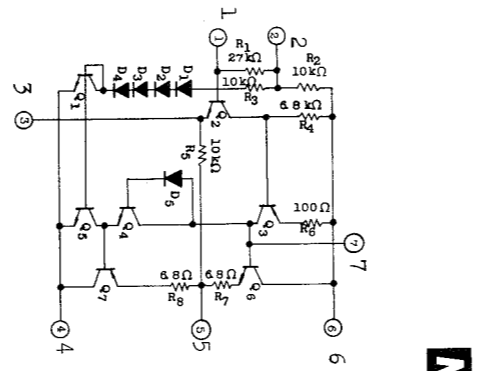
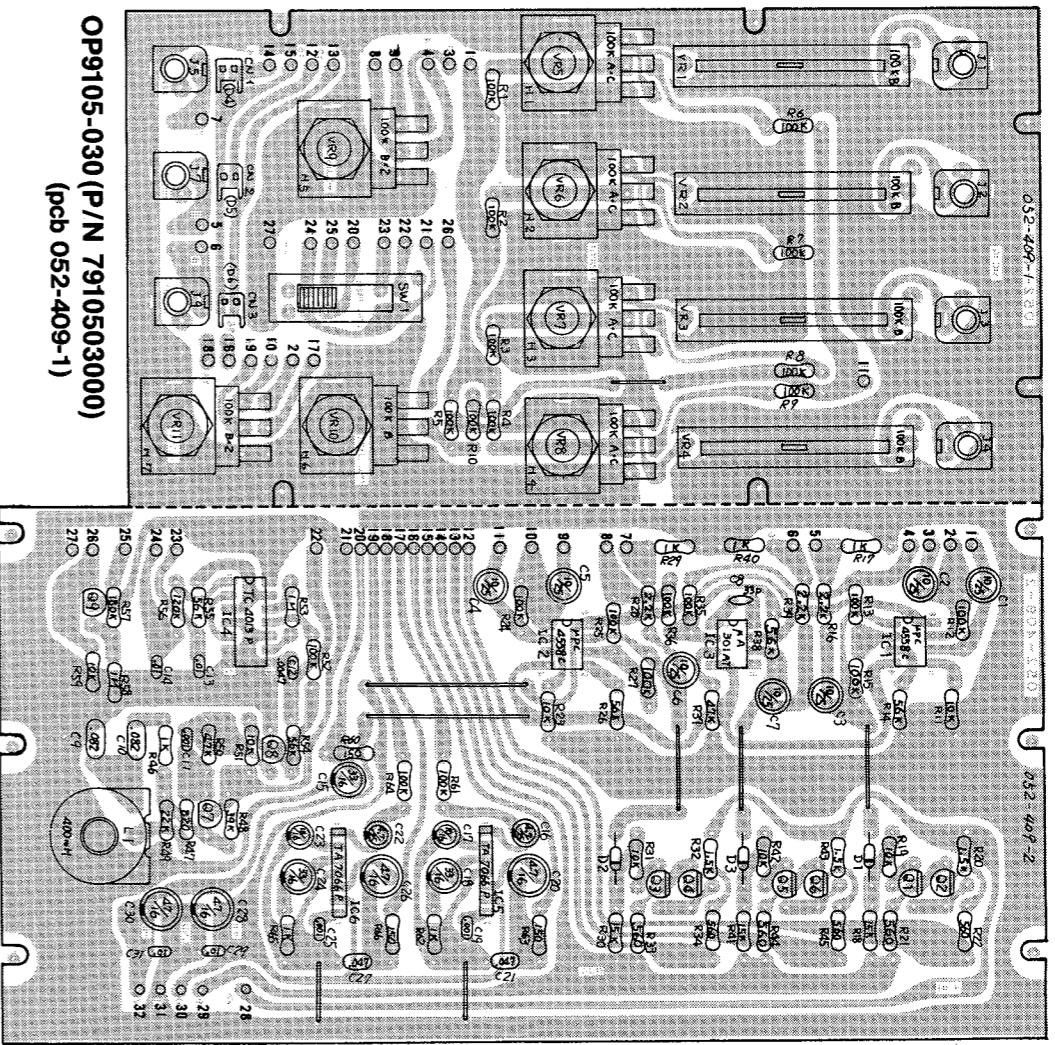
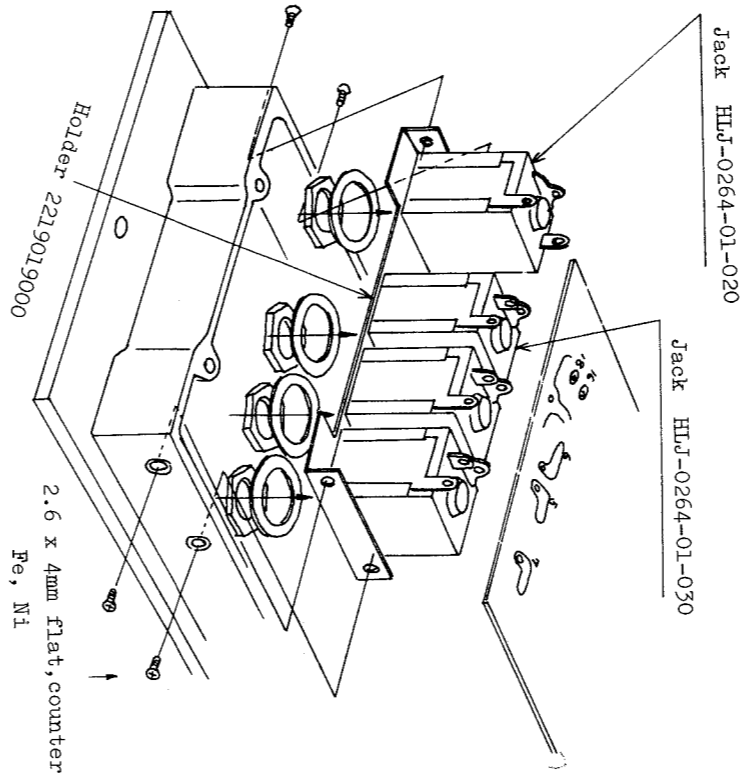


1 2 3 4 5 6 7 8 9 10 11 12 13 14 15 16 17 18 19 20 21 22 23 24 25 26 27 28 29 30 31 32 33 34 35 36 37 38 39 40

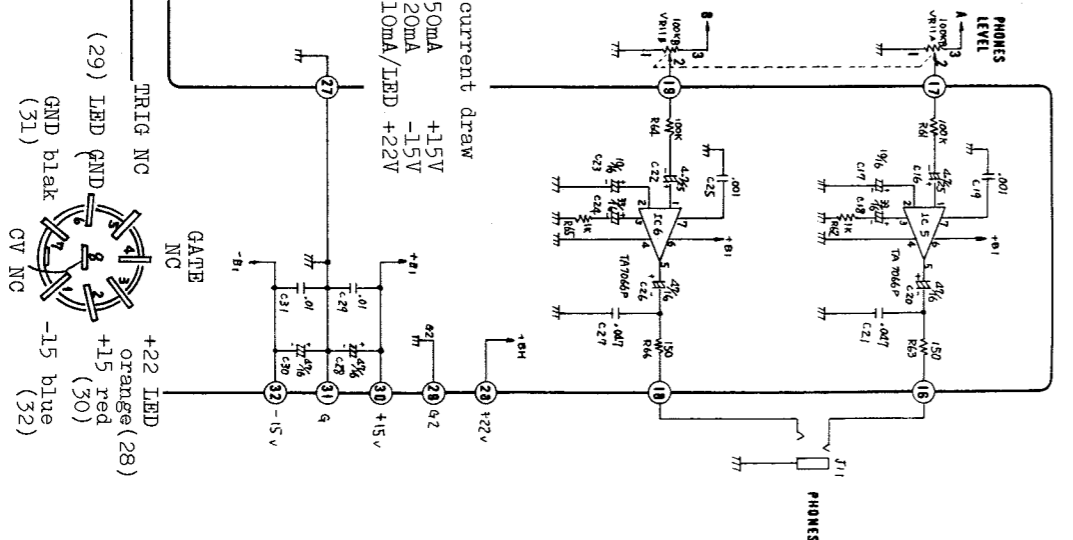
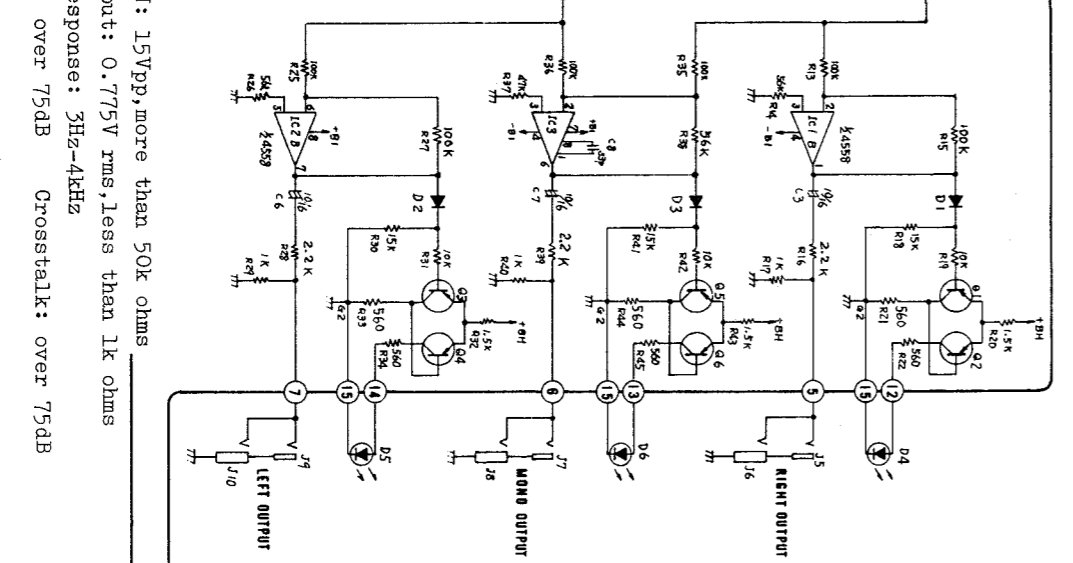
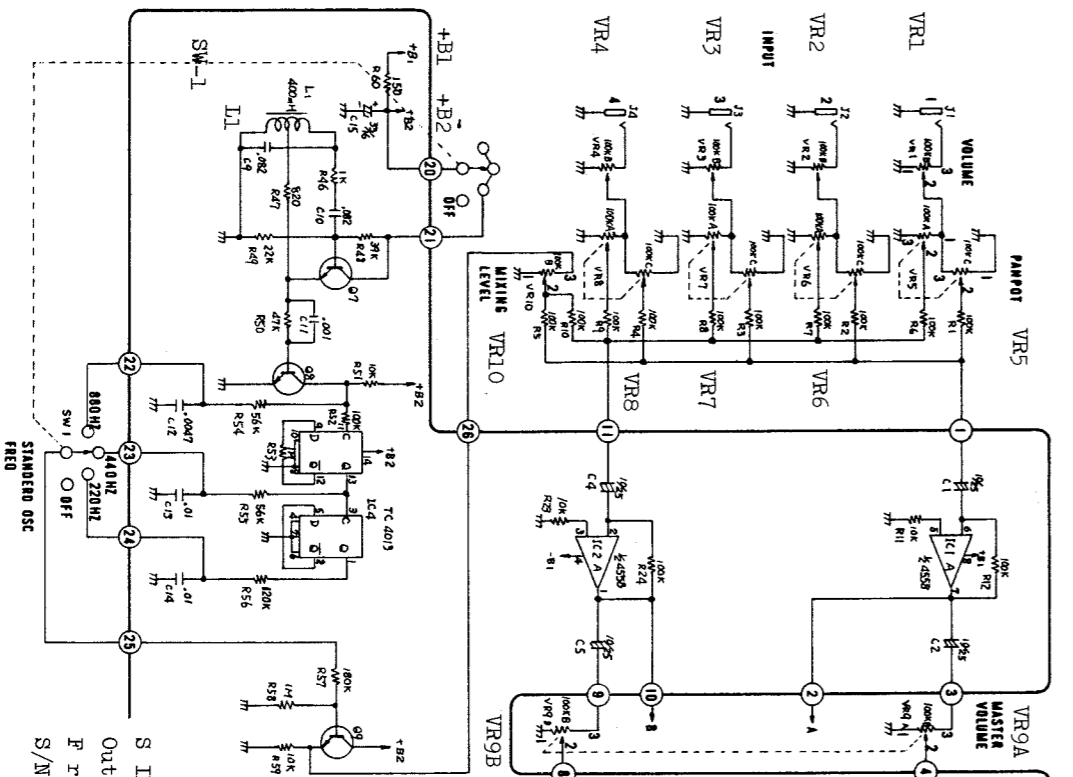
**M-131** OUTPUT MIXER

NOMENCLATURE	PART NO.	PART NAME
J- 1-5, 7-9	13449402	SJ-409-1-2
J- 6, 8, 10	13449115	HLJ-0264-01-030
J- 11	13449114	HLJ-0264-01-020
SW- 1	13159503	SQPR24-12P
VR- 1-4	13339402	EVA-TOA-C15B15
VR- 5-8	13219806	GM7OR910E K20 100KB A/C
VR- 9, 11	13219807	GM7OR910E K20 100KB x 2
VR- 10	13219220	VMIORBI0C K20 100KB
H- 8	2219019000	Holder N-190
D- 4-6	15029110	GL-3AR-1
IC- 1, 2	15189105	UPC4558C
IC- 3	15189109	UA301HC
IC- 4	15159105F0	TC4013BP
IC- 5, 6	15199502	TA7066AP
Q- 1-6	15119112	2SA1015-Y
Q- 7-9	15129115	2SC1815-Y
D- 1-3	15019103	1S2473
L- 1	2244021200	Coil MC4RV 400mH
C- bi-polar	13639932F0	ECBA25N10 10mfcd/25V



**TA7066P**  
Voltage Amplifier  
Low Power Amplifier

Equivalent Input Noise Voltage: 2µV  
Operative Power Supply Range: 8-25V DC  
Audio Output Power: 150mW  
(20V DC supply 150-ohm load)  
Power Dissipation: (max) 400mW @ Ta=25°C



S IN: 15Vpp, more than 50k ohms  
Output: 0.775V rms, less than 1k ohms  
F response: 3Hz-4kHz  
S/N: over 75dB  
Crosstalk: over 75dB

PHONES LEVEL  
A 150mV  
B 100mV  
C 50mV  
D 25mV  
E 12.5mV  
F 6.25mV  
G 3.125mV  
H 1.56mV  
I 780µV  
J 390µV  
K 195µV  
L 97.5µV  
M 48.75µV  
N 24.375µV  
O 12.1875µV  
P 6.09375µV  
Q 3.046875µV  
R 1.5234375µV  
S 761.71875µV  
T 380.859375µV  
U 190.4296875µV  
V 95.21484375µV  
W 47.607421875µV  
X 23.8037109375µV  
Y 11.90185546875µV  
Z 5.950927734375µV

current draw  
50mA +15V  
20mA -15V  
10mA/LED +22V

TRIG NC  
GATE NC  
+22 LED orange(28)  
+15 LED red (30)  
-15 blue (32)  
GND blk (31)  
CV NC