

OP9102-030 (P/N 7910203000)
(pcb 052-405-1)

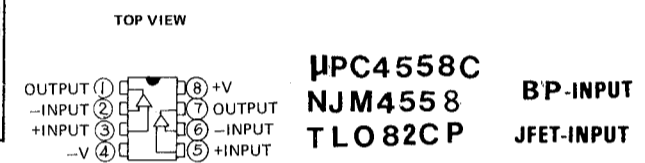
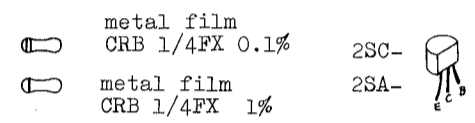


OP9102-040 (Part number 7910204000)
(pcb 052-405-2)

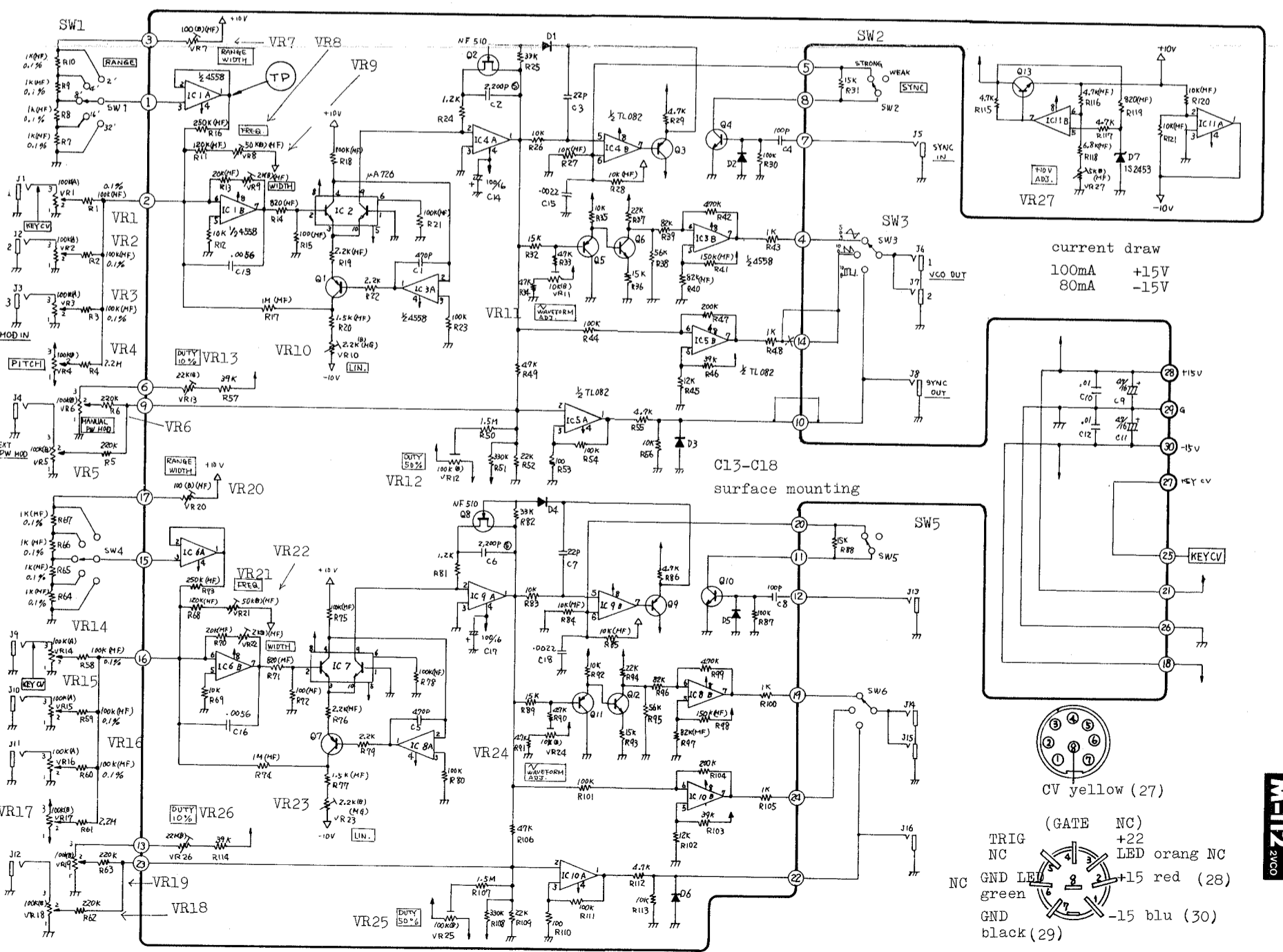
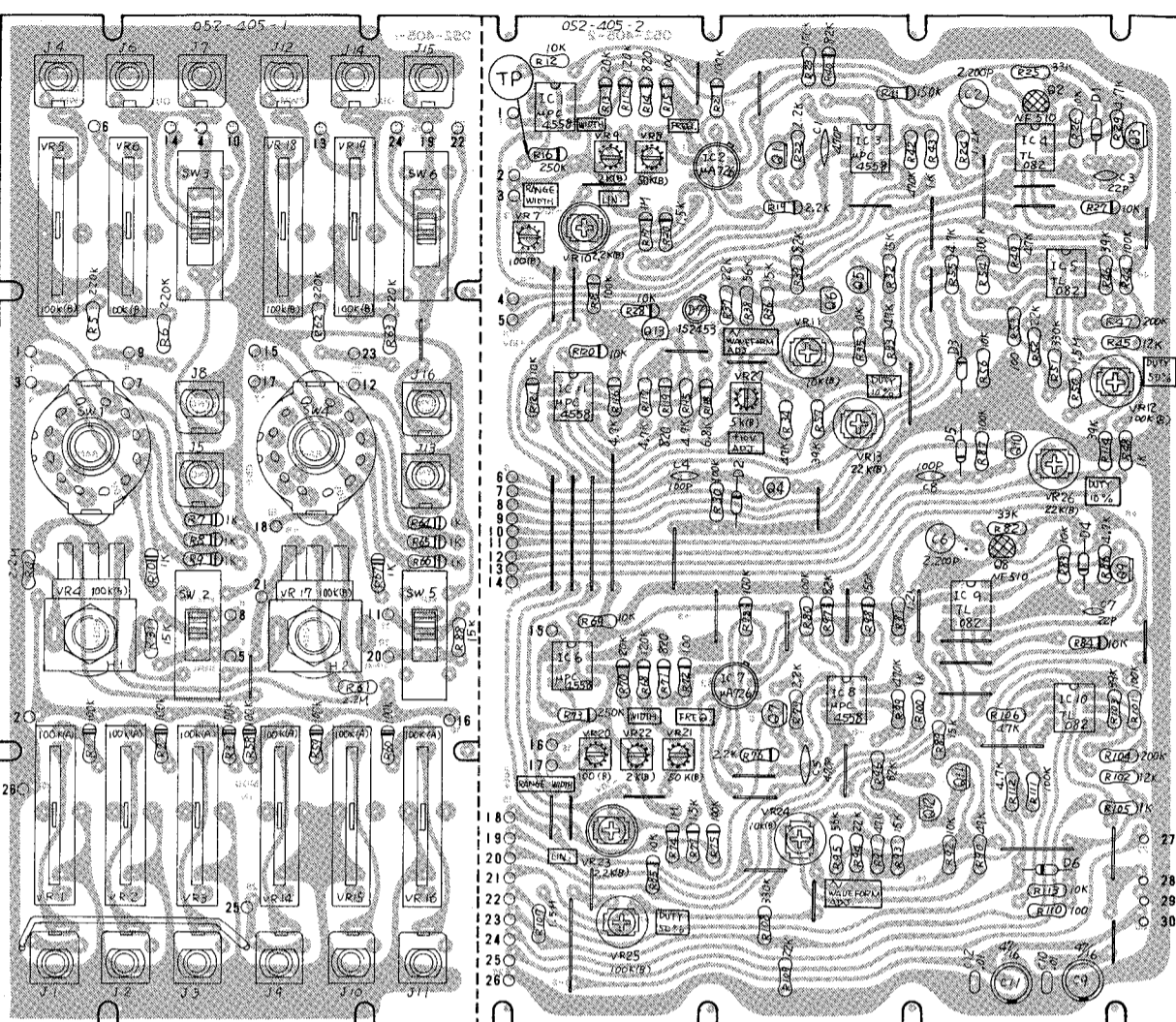
VCO output: 1k, 10V p-p
Input: 50k

Freq.: 1Hz-30kHz
Control Sens: 1V/oct

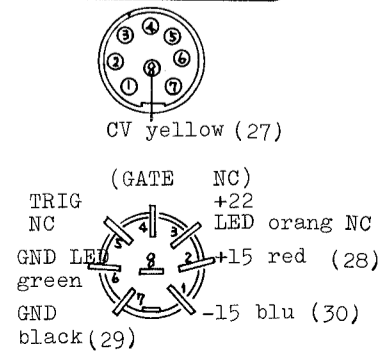
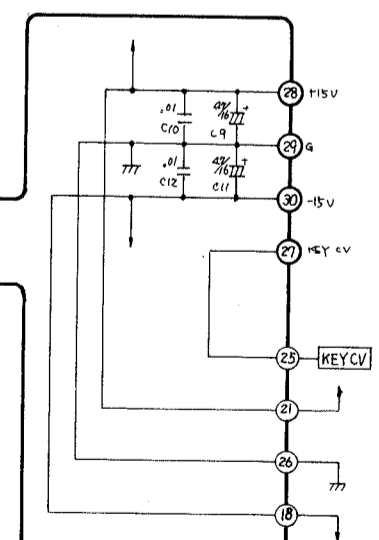
NOMENCLATURE	PART NO.	PART NAME
J-	1-16	13449402 SJ-409-1-2
SW-	1, 4	13119401 SRM-1025172
SW-	2, 5	13159103 SSB-02242
SW-	3, 6	13159304 SSB-02335
VR-	1-3, 14-16	13339301 EVA-H04C15A15
VR-	4, 17	13219220 VML0RB10C 100KB
VR-	5, 6, 18, 19	13339304 EVA-H04C15B15
VR-	7, 20	13299501 PN82-2H101H
VR-	8, 21	13299508 PN82-2H503H
VR-	9, 22	13299504 PN82-2H202H
VR-	10, 23	13299542 CR19R 2.2KB
VR-	11, 24	13299114 SR19R 10KB
VR-	12, 25	13299117 SR19R 100KB
VR-	13, 26	13299115 SR19R 22KB
VR-	27	13299507 PN82-2H502H
H-	1, 2	2219510600 Holder N-106
IC-	1, 3, 6, 8, 11	15189105 uPC4558C
IC-	2, 7	15219101 uA726HC
IC-	4, 5, 9, 10	15189118 TL082
Q-	1, 3, 5, 7, 9, 11	15119112 2SA1015-Y
Q-	2, 8	15139110 NF510
Q-	4, 6, 10, 12, 13	15129115 2SC1815-Y
D-	1, 2, 3, 4, 5, 6	15019103 1S2473
D-	7	15019625 1S2453
C-	2, 6	13569117T0 CQ09S1H222G-V polystyrene



uPC4558C B'P-INPUT
NJM4558 JFET-INPUT
TL082CP



current draw
100mA +15V
80mA -15V



M-112
2VCO