

Q1 to Q5 : --> U4, CA3046

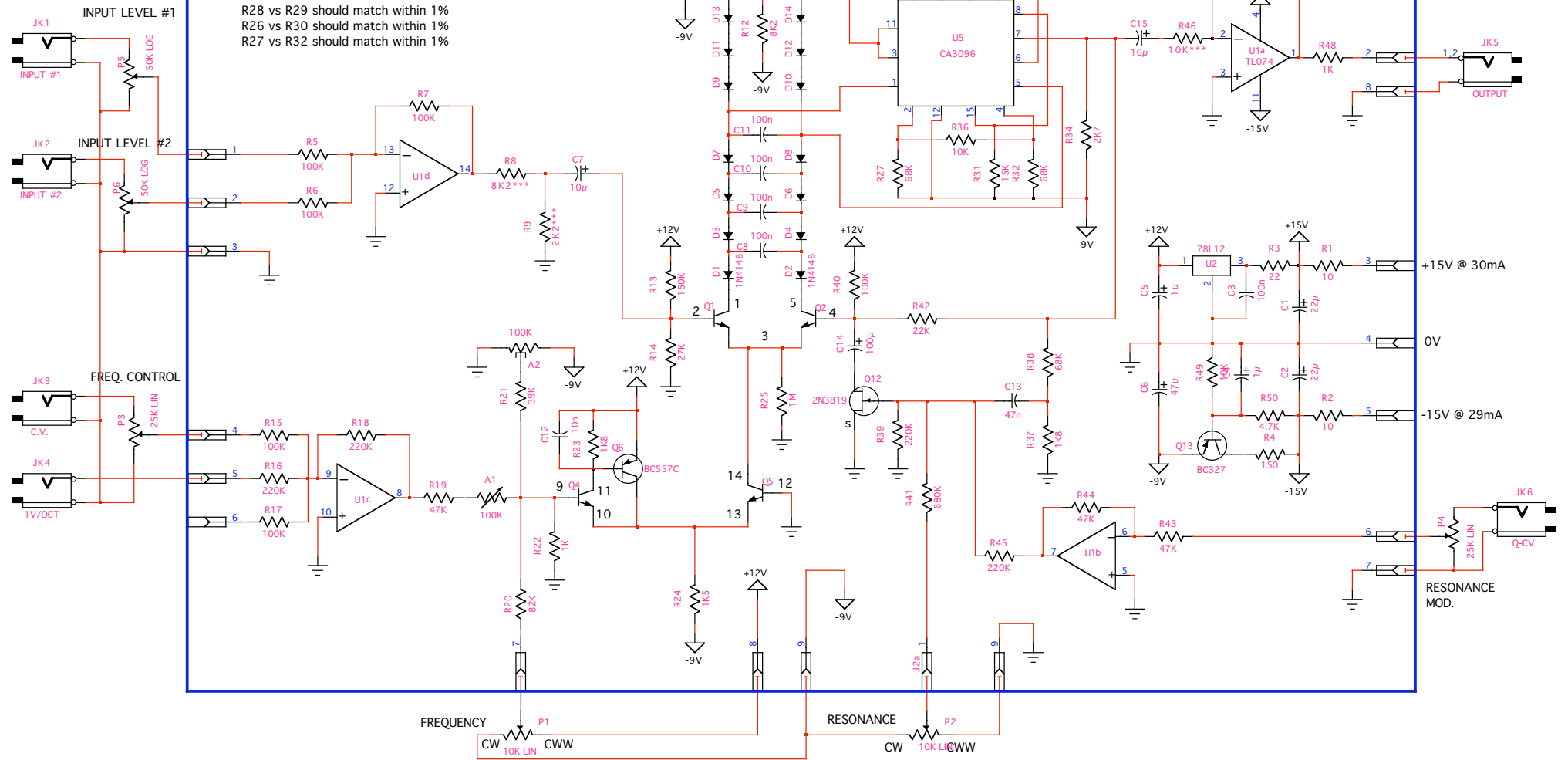
*** resistor values to adjust depending on input levels

d1 to d14: direct voltage drops should match within 3mV

R28 vs R29 should match within 1%

R26 vs R30 should match within 1%

R27 vs R32 should match within 1%



DIODE LADDER FILTER/OSCILLATOR
Redrawn by : Yves Usson
nov. 2007